

ATTACHMENTS

For all our latest catalogue updates and company info: www.tvh.be

ATTACHMENTS

- SIDE SHIFTS
- FORK POSITIONERS
- ROTATORS
- HYDROSWEeper
- MAGNETIC SWEEPER
- MECHANICAL SCOOPS
- ROLL FORWARD SKIPS
- CARRIAGE MOUNTED HYDRAULIC SCOOP
- LOW LOADIN SKIP
- DRUM CLAMP
- DRUM ROTATOR
- SNOW PLOUGH
- YARD SCRAPER
- SAFETY CAGE
- CRANE JIB



ATTACHMENTS

For all our latest catalogue updates and company info: www.tvh.be

SIDE SHIFTS

SIDE SHIFT

Our high visibility side shift is compatible with all truck carriages and conforms to all standards. The slim designed bars, along with high visibility, create a reduced weight. This increases lifttruck net capacity, while reducing strain on the hydraulic system.



- Very easy to fit and service.
- Full-width top hook protecting critical wear surfaces, resulting in longer bushing life in heavy duty applications.
- Fully replaceable wear slides made of special self-lubricating impregnated nylon with a very low friction coefficient.
- Cylinder rod seals are replaceable.
- Fully adjustable lower hooks.
- Delivered without fittings in the cylinder.

Reference	Type	Capacity kg	Carriage Class fem	Stroke S	Width B	Weight W/kg	Lost load centre LL	Centre of gravity CG
107TA6115	DSL1 0820A20	1000 @ 500	I	100 + 100	820	43	62	32
107TA6116	DSL2 0850A20	2500 @ 500	II	100 + 100	850	54	63	32
107TA6117	DSL2 0900A20	2500 @ 500	II	100 + 100	900	57	63	32
107TA6118	DSL2 0920A20	2500 @ 500	II	100 + 100	920	57	63	32
107TA6119	DSL2 0940A20	2500 @ 500	II	100 + 100	940	59	63	32
107TA6120	DSL2 0980A20	2500 @ 500	II	100 + 100	980	61	63	32
107TA6121	DSL2 1000A20	2500 @ 500	II	100 + 100	1000	62	63	32
107TA6122	DSL2 1020A20	2500 @ 500	II	100 + 100	1020	62	63	32
107TA6123	DSL2 1040A20	2500 @ 500	II	100 + 100	1040	64	63	32
107TA6124	DSL2 1100A20	2500 @ 500	II	100 + 100	1100	66	63	32
107TA6125	DSL2 1150A20	2500 @ 500	II	100 + 100	1150	69	63	32
107TA6126	DSL2 1250A20	2500 @ 500	II	100 + 100	1250	75	63	32
107TA6127	DSL2 1400A20	2500 @ 500	II	100 + 100	1400	85	63	32
107TA6128	DSL3 1000A20	4500 @ 500	III	100 + 100	1000	103	69	46
107TA6129	DSL3 1100A20	4500 @ 500	III	100 + 100	1100	106	69	46
107TA6130	DSL3 1150A20	4500 @ 500	III	100 + 100	1150	109	69	46
107TA6131	DSL3 1250A20	4500 @ 500	III	100 + 100	1250	115	69	46
107TA6132	DSL3 1350A20	4500 @ 500	III	100 + 100	1350	120	69	46
107TA6133	DSL3 1400A20	4500 @ 500	III	100 + 100	1400	150	69	46
107TA6134	DSL3 1660A20	4500 @ 500	III	100 + 100	1660	160	69	46
107TA6135	DSL4 1250R20	6000 @ 600	IV	100 + 100	1250	230	88	57
107TA6136	DSL4 1400R20	6000 @ 600	IV	100 + 100	1500	250	88	57
107TA6137	DSL4 1500R20	6000 @ 600	IV	100 + 100	1500	260	88	57
107TA6138	DSL4 1600R30	8000 @ 600	IV	150 + 150	1600	310	88	57
107TA6139	DSL4 1850R30	8000 @ 600	IV	150 + 150	1850	330	88	57
107TA6140	DSL4 2000R30	8000 @ 600	IV	150 + 150	2000	340	88	57

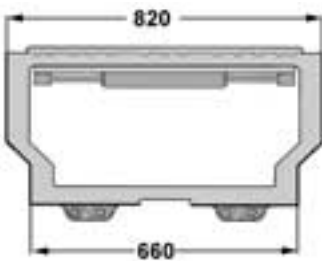
Nipple for hydraulic cylinder 9/16 JIC: * max. working pressure 200 kg/cm².

For DSL1, DSL2 and DSL3 REF./ 107TA6166

* other versions available upon request

For DSL4 3/4 JIC: REF./ 107TA6114

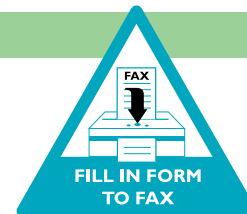
SIDE SHIFT FOR REACH TRUCKS



REF./ 107TA6141

EXAMPLE

type:DSL2 0301
 capacity:2500@500
 ClassFEM: II
 stroke:100+100
 Width820
 Weight:50 Kg
 Lost load centre:63
 Centre of gravity:32



Company:

Customer code:

Name:

Fax number:

SIDE SHIFT

Our high visibility side shift is compatible with all truck carriages and conforms to all standards. The slim designed bars, along with high visibility, create a reduced weight. This increases lifttruck net capacity, while reducing strain on the hydraulic system.



- Very easy to fit and service.
- Full-width top hook protecting critical wear surfaces, resulting in longer bushing life in heavy duty applications.
- Fully replaceable wear slides made of special self-lubricating impregnated nylon with a very low friction coefficient.
- Cylinder rod seals are replaceable.
- Fully adjustable lower hooks.
- Delivered without fittings in the cylinder.

Reference	Type	Capacity kg	Carriage Class fem	Stroke S	Width B	Weight W/kg	Lost load centre LL	Centre of gravity CG
107TA6142	SL40800	2500 @ 500	II	100 + 100	800	42	58	27
107TA6143	SL40900	2500 @ 500	II	100 + 100	900	45	58	27
107TA6144	SL40920	2500 @ 500	II	100 + 100	920	46	58	27
107TA6145	SL40940	2500 @ 500	II	100 + 100	940	47	58	27
107TA6146	SL40980	2500 @ 500	II	100 + 100	980	54	58	28
107TA6147	SL41020	2500 @ 500	II	100 + 100	1020	55	58	28
107TA6148	SL41040	2500 @ 500	II	100 + 100	1040	56	58	28
107TA6149	SL41100	2500 @ 500	II	100 + 100	1100	59	58	29
107TA6150	SL41150	2500 @ 500	II	100 + 100	1150	61	58	29
107TA6151	SL41245	2500 @ 500	II	100 + 100	1245	82	68	33
107TA6152	SL41400	2500 @ 500	II	100 + 100	1400	90	68	33
107TA6153	SL41550	2500 @ 500	II	100 + 100	1550	98	68	33
107TA6154	SL51000	3500 @ 500	III	100 + 100	1000	70	63	29
107TA6155	SL51100	3500 @ 500	III	100 + 100	1100	70	63	29
107TA6156	SL51150	3500 @ 500	III	100 + 100	1150	72	63	29
107TA6157	SL51245	3500 @ 500	III	100 + 100	1245	85	63	30
107TA6158	SL51350	3500 @ 500	III	100 + 100	1350	98	63	31
107TA6159	SL61100	4900 @ 500	III	100 + 100	1100	93	73	33
107TA6160	SL61150	4900 @ 500	III	100 + 100	1150	96	73	33
107TA6161	SL61245	4900 @ 500	III	100 + 100	1245	101	73	33
107TA6162	SL61350	4900 @ 500	III	100 + 100	1350	117	73	35
107TA6163	SL61550	4900 @ 500	III	100 + 100	1550	130	73	35
107TA6164	SL61660	4900 @ 500	III	100 + 100	1660	150	73	36
107TA6165	SL62000	4900 @ 500	III	100 + 100	2000	185	73	37

* max. working pressure 200 kg/cm².

* other versions available upon request

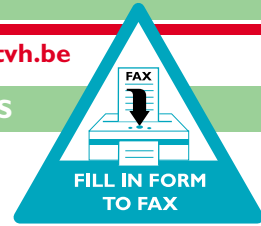
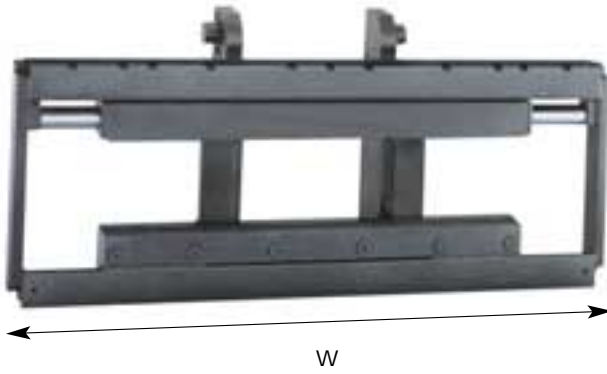
Nipple for hydraulic cylinder: **REF./ 107TA6166**

ATTACHMENTS

For all our latest catalogue updates and company info: www.tvh.be

FAX FORM: INTEGRATED SIDE SHIFTS

TECHNICAL DETAIL: INTEGRATED SIDE SHIFTS



Company:
Customer code:
Name:
Fax number:

W (width of sideshift):

Carriage class FEM (2,3,4):

Brand of truck:

Type of truck:

Brand of mast:

Type of mast:

Serial n° of mast:

TRUCK DOLLY

For safely moving forklifts using the counterweight pin.

REF./ number	Carriage	Fork section	Length	hole diameter
	fem	mm	mm	mm
107TA6167	2	125x45	600	40
107TA6168	3	125x45	600	40



ATTACHMENTS

For all our latest catalogue updates and company info: www.tvh.be

FORK POSITIONERS

BOLZONI SIDESHIFTING FORK POSITIONER

Fork adjustment is obtained with a chain cylinder system, which offers a smooth uniform movement.
Delivered without forks, the original forks of the truck will suit without modification.
Stroke of side shift, 100mm left and 100mm right.
Side shifting is still possible when the fork positioner is at its maximum opening position.

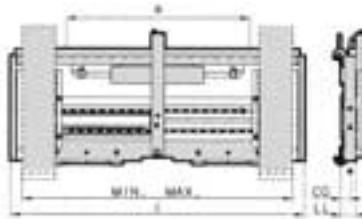
REF./ number	Capacity (kg)	Load centre	Mounting class	Frame width (mm)	Opening range over forks (mm)		Min carriage width (mm)	Weight	Lost load centre (mm)	centre of gravity
	kg	mm		fem	l	min	max			
107TA6175	2500	500	2	940	365	845	860	66	58	28
107TA6176				1040		945	885	78		29
107TA6177				1150		1055	920	85		30
107TA6178				1245		1150	970	108		33
107TA6179				1400		1305	1040	120		34
107TA6180	3500	500	3	1100	405	1005	900	97	63	29
107TA6181				1150		1055	920	100		30
107TA6182				1245		1150	970	115		31
107TA6183				1350		1255	1020	132		32

width of standard supports: for mounting class FEM 2 100-130mm.
for mounting class FEM 3 100-150mm.

Max width of fork class II: 130mm
Max width of fork class II: 150mm

working pressure 130 DaN/cm² for sideshifting
and 50DaN/cm² for fork positioning
2 hydraulic functions required

OPTION: sequence valve REF./ 107TA6184
It allows positioning of forks at the end of the stroke of the side shift cylinder.
Only 1 hydraulic function is required for both functions.



BOLZONI FORK POSITIONER

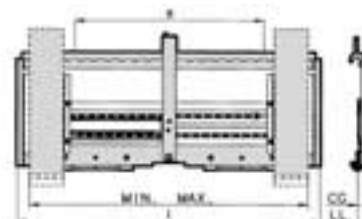
Fork adjustment is obtained with a chain cylinder system, which offers a smooth uniform movement.
Delivered without forks, the original forks of the truck will suit without modification.

REF./ number	Capacity (kg)	Load centre	Mounting class	Frame width (mm)	Opening range over forks (mm)		Min carriage width (mm)	Weight	Lost load centre	Centre of gravity
	kg	mm		fem	l	min	max			
107TA6169	2500	500	2	1040	365	945	750	82	58	29
107TA6170				1150		1055	780	89		30
107TA6171				1245		1150	830	113		33
107TA6172	3500	500	3	1150	405	1055	780	105	63	30
107TA6173				1245		1150	830	120		31
107TA6174				1350		1255	1350	138		32

width of standard supports: for mounting class FEM 2 100-130mm.
for mounting class FEM 3 100-150mm.

Max width of fork class II: 130mm
Max width of fork class II: 150mm

working pressure 130 DaN/cm²
1 hydraulic function required



BOLZONI FORK POSITIONER ADAPTABLE ON A EXISTING SIDE SHIFT

Fork adjustment is obtained with a chain cylinder system, which offers a smooth uniform movement.

Delivered without forks, the original forks of the truck will suit without modification.

The chain cylinder system can be mounted on the frame of a standard SL BOLZONI side shift.

The width of the existing side shift must be exactly the size as mentioned in the tabel.

This way you obtain a sideshifting fork positioner.

Side shifting is still possible when the fork positioner is at its maximum opening position.

REF./number	Capacity (kg)	Load centre	Mounting class	Frame width of existing side shift (mm)	Opening range over forks (mm)		Min carriage width (mm)	Weight	Lost load	centre of gravity (mm)
	kg	mm			min	max				
107TA6185	2500	500	2	940	365	845	860	66	58	28
107TA6186				1040		945	885	78		29
107TA6187				1150		1055	920	85		30
107TA6188				1245		1150	970	108		33
107TA6189				1400		1305	1040	120		34
107TA6190	3500	500	3	1100	405	1005	900	97	63	29
107TA6191				1150		1055	920	100		30
107TA6192				1245		1150	970	115		31
107TA6193				1350		1255	1020	132		32

working pressure 130 DaN/cm² for sideshifting and 50DaN/cm²

for fork positioning 2 hydraulic functions required

width of standard supports:

for mounting class FEM 2 100-130mm. Max width of fork class II: 130mm

for mounting class FEM 3 100-150mm. Max width of fork class II: 150mm

OPTION: sequence valve REF./ 107TA6184

It allows positioning of forks at the end of the stroke of the side shift cylinder.

Only 1 hydraulic function is required for both functions.



BOLZONI SIDESHIFTING FORK POSITIONER WITH BAR MOUNTED FEM FORK CARRIERS

Fork adjustment is obtained with 2 hydraulic cylinders, which offers a smooth uniform movement.

Delivered without forks, the original forks of the truck will suit without modification.

Stroke of side shift, 100mm left and 100mm right.

Side shifting is still possible when the fork positioner is at its maximum opening position.

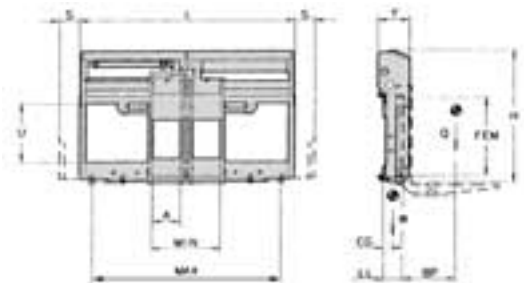
REF./number	Capacity (kg)	Load centre	Mounting class	Frame width (mm)	Opening range over forks (mm)		Lost load centre	Total thickness	Support width	Total height	Weight	Centre of gravity (mm)	Side visibility		
	kg	mm			fem	l								min	max
107TA6194	2500	500	2	1040	320	940	93	150	140	656	130	45	292		
107TA6195				1150		1050	103	160			160	48			
107TA6196				1245		1145	103	160			160	48			
107TA6197	3200	500	3	1150	320	1050	103	170	140	757	155	48	390		
107TA6198				1245		1145					103	170		140	49
107TA6199				1350		1250					103	170		140	49
107TA6200				1245		1125					103	170		140	49
107TA6201				1350		1230					103	170		140	49
107TA6202	4900	500	3	1550	370	1430	113	190	160	780	224	54	386		
107TA6203				1660		1540					113	190		160	245

Please keep in mind that the width of the fork is not as big as dimension A

Working pressure 130 DaN/cm² for sideshifting and

50DaN/cm² for fork positioning

2 hydraulic functions required



ATTACHMENTS

For all our latest catalogue updates and company info: www.tvh.be

FORK POSITIONERS

BOLZONI FORK POSITIONER WITH BAR MOUNTED FEM FORK CARRIERS

Fork adjustment is obtained with 2 hydraulic cylinders, which offers a smooth uniform movement.
Delivered without forks, the original forks of the truck will suit without modification.
Please keep in mind that the width of the fork is not as big as dimension A

REF/ number	Capacity (kg)	Load centre	Mounting class	Frame width (mm)	Opening range over forks (mm)		Lost load centre (mm)	Total thickness	Support width	Total height	Weight	Centre of gravity (mm)	Side visibility
	kg	mm		I	min	max	LL	Y	A	H	kg	CG	U
107TA6218	2500	500	2	1040	320	940	93	130	140	656	134	46	250
107TA6219				1150		1050							
107TA6220				1245		1145							
107TA6221	3200	500	3	1150	320	1050	103	170	140	757	159	49	350
107TA6222				1245		1145							
107TA6223				1350		1250							
107TA6224	4900	500	3	1245	370	1125	113	190	160	780	197	53	310
107TA6225				1350		1230							
107TA6226				1550		1430							
107TA6227				1660		1540							

working pressure 130 DaN/cm² for fork positioning

1 hydraulic function required



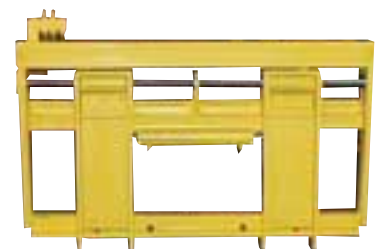
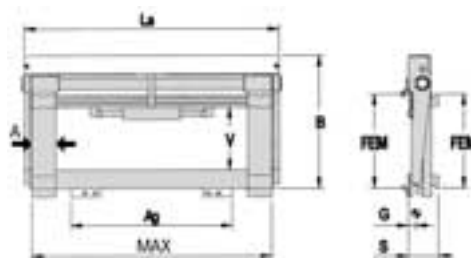
RONCARI SIDESHIFTING FORK POSITIONER WITH BAR MOUNTED FEM FORK CARRIERS

Fork adjustment is obtained with 2 hydraulic cylinders, which offers a smooth uniform movement.
Delivered without forks, the original forks of the truck will suit without modification.
Stroke of side shift, 100mm left and 100mm right.
Side shifting is still possible when the fork positioner is at its maximum opening position.
Please keep in mind that the width of the fork is not as big as dimension A

REF/ number	Capacity (kg)	Load centre	Mounting class	Frame width (mm)	Min width of fork carriage	Opening range over forks (mm)		Lost load	Support width centre (mm)	Total height	Weight	Centre of gravity	Side visibility (mm)
	kg	mm		la	Ag	min	max	S	A	B	kg	G	V
107TA6204	2500	500	2	980	800	880	350	82	130	632	130	42	269
107TA6205				1040	880	940							
107TA6206				1100	880	1000							
107TA6207				1160	920	1060							
107TA6208				1280	920	1180							
107TA6209	4500	500	3	1050	800	940	400	114	150	736	204	58	343
107TA6210				1110	800	1000							
107TA6211				1290	920	1180							
107TA6212				1410	1020	1300							
107TA6213				1650	1200	1540							
107TA6214	6000	600	4	1500	1060	1390	580	190	150	900	518	102	288
107TA6215				1860	1360	1750							
107TA6216				2000	1600	1890							
107TA6217	8000	600	4	2210	1810	2100	800	190	200	900	646	102	288

working pressure 180 DaN/cm²

2 hydraulic functions required



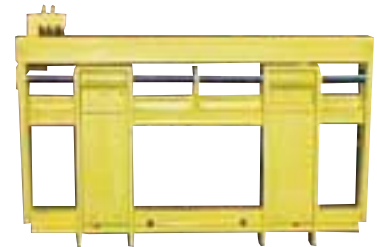
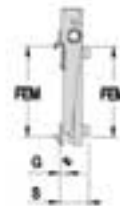
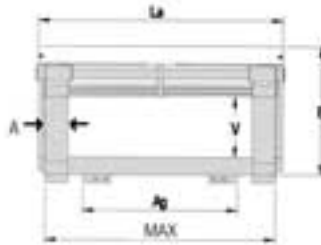
RONCARI FORK POSITIONER WITH BAR MOUNTED FEM FORK CARRIERS

Fork adjustment is obtained with 2 hydraulic cylinders, which offers a smooth uniform movement.
Delivered without forks, the original forks of the truck will suit without modification.
Please keep in mind that the width of the fork is not as big as dimension A

REF/ number	Capacity (kg)	Load centre	Mounting class	Frame width	Min width of fork carriage of truck	Opening range over forks (mm)		Lost load centre (mm)	Support width	Total height	Weight	Centre of gravity (mm)	Side visibility
						MIN	MAX						
	kg	mm	fem	la	Ag			S	A	B	kg	G	V
107TA6228	2500	500	2	980	800	350	880	82	130	632	128	42	309
107TA6229				1040	880		940				133		
107TA6230				1100	880		1000				139		
107TA6231				1160	920	350	1060				144		
107TA6232				1280	920		1180				154		
107TA6233	4500	500	3	1050	800		940	114	150	736	196	58	383
107TA6234				1110	800		1000				202		
107TA6235				1290	920	400	1180				220		
107TA6236				1410	1020		1300				232		
107TA6237				1650	1200		1540				256		
107TA6238	6000	600	4	1500	1060	580	1390	190	150	900	508	97	288
107TA6239				1860	1360		1750				548		
107TA6240	8000	600	4	2000	1600	800	1890	190	200	900	636	97	288
107TA6241				2210	1810		2100				656		

working pressure 180 DaN/cm²

1 hydraulic function required



ROTATOR 180°



Technical specifications:

- rotator: 180°, turns to the left side
- without forks: forks of the truck will suit the rotator
- delivered with side support arm
- support arm can be folded in
- rotator carriage with 1000 mm
- delivered with hoses and hydraulic quick connections

REF./ 105TA2759

- mounting carriage class: FEM 2
- capacity: 2500 kg/500 mm
- weight: 220 kg

REF./ 106TA6317

- mounting carriage class: FEM 3
- capacity: 3500 kg/500 mm
- weight: 290 kg

ATTACHMENTS

For all our latest catalogue updates and company info: www.tvh.be

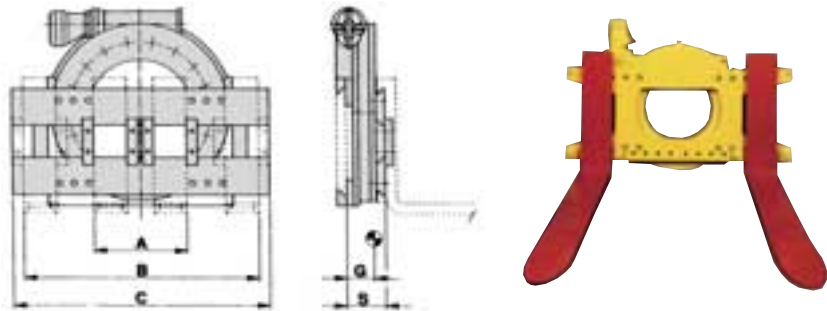
ROTATORS

RONCARI ROTATOR 360°

Used in industries where the working cycles require rotation or emptying of boxes or containers. The rotator is delivered without forks. You can use the original forks of the lifttruck without modification. The distance between the forks can be adjusted manually and locked into position by specially patented brackets which prevent slipping during rotation.

REF./ number	Attachment capacity	Load centre	Mounting class	Opening range	fork carriage width	Weight	Lost load Centre	Centre of gravity
		mm		A/B (mm)	C (mm)	kg	S (mm)	G (mm)
107TA6250	1500	500	2	330/800	900	215	145	75
107TA6251	2500	500	2	360/880	980	220	145	75
107TA6252	3400	500	3	390/1020	980	230	163	90
107TA6253	4500	500	3	410/1040	1150	360	163	90
107TA6254	5000	600	4	570/1210	1150	380	190	12
107TA6255	6500	600	4	630/1510	1550	430	190	125

Maximum working pressure 160DaN/cm²
Retractable third arm on request
Also available in stainless steel



BOLZONI ROTATOR 360°

Used in industries where the working cycles require rotation or emptying of boxes or containers. The rotator is delivered without forks. You can use the original lifttruck forks without modification. The distance between the forks can be adjusted manually and locked into position by specially patented brackets which prevent any slipping during rotation.

REF./ number	Attachment capacity (kg)	centre (mm)	Mounting class	Fork carriage width (mm)	Weight (kg)	Lost load centre (mm)	Centre of gravity (mm)
107TA6242	1500	500	2	900	215	142	75
107TA6243	2000	500	2	980	220	142	84
107TA6244	2500	500	2	980	230	142	84
107TA6245	3200	500	3	1150	360	163	100
107TA6246	4000	500	3	1150	380	180	108
107TA6247	4800	500	3	1550	430	185	113
107TA6248	5500	600	4	1740	760	186	115
107TA6249	7000	600	4	1740	770	186	115

Maximum working pressure 130DaN/cm²
Retractable third arm upon request



HYDROSWEeper WITH 2 HYDRAULIC HOSES FROM LIFTTRUCK

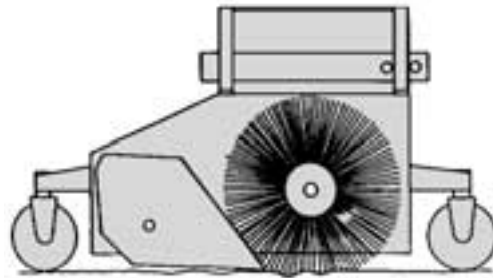
WIDTH	STANDARD TYPE	WITH SIDEBRUSH	WITH SIDEBRUSH AND WATER JET-SYSTEM	DUST BOX
1200 mm	<i>REF./ 107TA6101</i>	<i>REF./ 107TA6089</i>	<i>REF./ 107TA6095</i>	160 Litre
1600 mm	<i>REF./ 107TA6102</i>	<i>REF./ 107TA6090</i>	<i>REF./ 107TA6096</i>	210 Litre
2000 mm	<i>REF./ 107TA6103</i>	<i>REF./ 107TA6091</i>	<i>REF./ 107TA6097</i>	260 Litre



HYDROSWEeper WITH PETROL ENGINE FOR INDEPENDENT HYDRAULIC SYSTEM.

WIDTH	STANDARD TYPE	WITH SIDEBRUSH	WITH SIDEBRUSH AND WATER JET-SYSTEM
1200 mm	<i>REF./ 107TA6098</i>	<i>REF./ 107TA6086</i>	<i>REF./ 107TA6092</i>
1600 mm	<i>REF./ 107TA6099</i>	<i>REF./ 107TA6087</i>	<i>REF./ 107TA6093</i>
2000 mm	<i>REF./ 107TA6100</i>	<i>REF./ 107TA6088</i>	<i>REF./ 107TA6094</i>

GASOLINE ENGINE 14 HP BRAND NAME "KOHLER"



HYDRO-SWEEPER is quality on a very high level and makes good profit in the daily work, because the machine sweeps and picks up in one pass without any dust inconveniences.

The special fork-keepers on the HYDRO-SWEEPER make it possible to mount and dismount the forklift in less than a minute.

The parallel-mounted brush gives excellent sweeping-results under all circumstances, also on outlets, rails, etc.

Heavy and wet waste is no longer a problem, and the HYDRO-SWEEPER sweeps perfectly on asphalt and paving stones.

The emptying of the container can be done mechanically directly into another container.

For sweeping along walls and curb stones, the HYDRO-SWEEPER can be fitted with a rotating sidebrush.

The hydraulic system makes the sweeper reliable and service friendly.

MAGNETIC SWEEPER

Any industrial truck without a magnetic sweeper is only doing half the job!
Eliminate nails • Eliminate scrap steel • Eliminate flats

Highest performance available from a permanent magnetic sweeper

Quality magnetic road sweepers that are built to last. These units are designed for all purpose, heavy duty use and will eliminate iron objects and steel trash from service/maintenance areas, lots, ramps and loading docks. The unit is designed for easy mounting on push tugs, forklifts, yard trucks, etc., used where steel trash causes costly damage to tyres, equipment and/or employee injury. TMRS1 an TMRS 2 type are constructed from quality permanent magnets encased in aluminium. TMRS 2 available in stainless steel and an additional cost.

Ref./ number	Length mm	Ground clearance mm
107TA6256	915	25-75
107TA6257	915	25-75



Product features:

- Exclusive insulation process used to prevent internal damage on impact.
- Packed with highest strength magnets
- Magnets mounted to steel frame
- 1/2" Eyebolts mounted to inner steel
- 1/2" Aluminium end caps secured with tension pins

FORK MOUNTED HYDRAULIC SCOOP



REF./ 106TA7563

Technical specifications:

Type: HO 1100:

- Capacity: 1.100 L.
- Width: 1.800 mm
- Height: 650 mm
- Depth: 1.400 mm
- Weight: 360 Kg.
- delivered with hoses and hydraulic quick connections



REF./ 106TA7564

Technical specifications:

Type: HO 950:

- Capacity: 950 L.
- Width: 1600 mm
- Height: 650 mm
- Depth: 1.400 mm
- Weight: 335 Kg.
- delivered with hoses and hydraulic quick connections

FORK MOUNTED MECHANICAL SCOOP

Mechanical scoops are essential all around mechanically operated attachments. Ideal for handling a variety of loose materials such as sand, coal, grain, scrap metal. The scoop has a blade thickness of 6 mm and is equipped with a hardened attack blade 15 mm thick.

Secured on the fork carriage with chain.

The scoop is entirely operated from the lifttruck by using a lever system.

Fully tested and supplied with a CE-certificate.

REF./ number	REF./ number with hydraulic cylinder	Volume	Width (mm)	Overall width of the bucket	Depth	Overall depth of	Height	Overall height of the bucket	Min fork spread between forks	Max fork section	Weight
		Litre	mm	mm	mm	mm	mm	mm	mm	mm	kg
107TA6270		600	1000	1130	1300	1886	600	876	560	180X70	220
107TA6271		800	1300	1430	1300	1886	600	876	560	180X70	250
107TA6272		1000	1600	1730	1300	1886	600	876	560	180X70	280
107TA6276	107TA6273	1200	1700	1800	1300	2050	650	876	450	160X65	330
107TA6277	107TA6261	1500	1800	1900	1500	2250	600	876	450	160X65	374
107TA6278	107TA6274	2000	2000	2100	1600	2350	650	876	500	160X65	425
107TA6279	107TA6275	2500	2500	600	1600	2350	650	876	500	160X65	484

* Hydraulic cylinder: delivered without hoses.

Painted red
Other dimensions on request



FORK MOUNTED MECHANICAL SCOOP WITH FORKHOLES IN THE SCOOP

With the forkholes in the scoop the load centre is closer to the fork carriage. (minimum load capacity of truck)

Mechanical scoops are essential all around mechanically operated attachments. Ideal for handling a variety of loose materials such as sand, coal, grain, scrap metal. The scoop has a blade thickness of 6 mm and is equipped with a hardened attack blade 15 mm thick.

The scoop is entirely operated from the lifttruck.

Fully tested and supplied with a CE-certificate.

Secured on the fork carriage with chain.

REF./ number	REF./ number with hydraulic cylinder	Volume	Width (mm)	Overall width of the bucket	Depth	Overall depth of the bucket	Height	Overall height of the bucket	Min fork spread between forks	Max fork section	Weight
		Liter	mm	mm	mm	mm	mm	mm	mm	mm	kg
107TA6264	107TA6258	500	1100	1200	1000	1350	500	876	450	160X65	180
107TA6265	107TA6259	750	1200	1300	1200	1550	550	876	450	160X65	210
107TA6266	107TA6260	1000	1600	1700	1300	1650	650	876	450	160X65	312
107TA6267	107TA6261	1500	1800	1900	1500	1850	600	876	450	160X65	368
107TA6268	107TA6262	2000	2000	2100	1600	1950	650	876	500	160X65	413
107TA6269	107TA6263	2500	2500	2600	1600	1950	650	876	500	160X65	472

* Hydraulic cylinder: delivered without hoses.



ATTACHMENTS

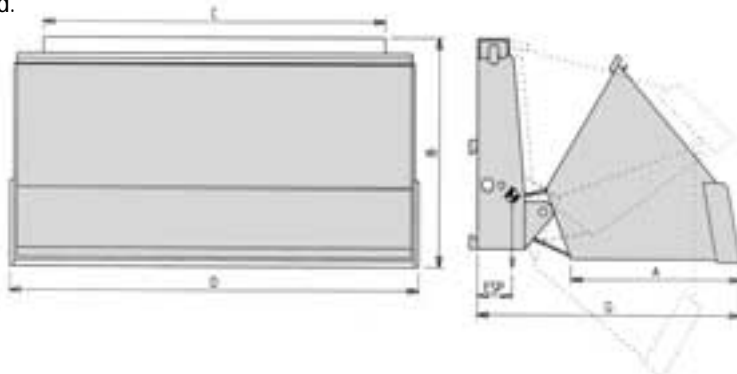
For all our latest catalogue updates and company info: www.tvh.be

CARRIAGE MOUNTED HYDRAULIC SCOOP

These very sturdy containers are made from 6 mm thick steel plates and have a hardwearing welded manganese blade. The scoop is equipped with two hydraulic cylinders. Fully tested and supplied with a CE-certificate. Capacity: 2500kg/m²

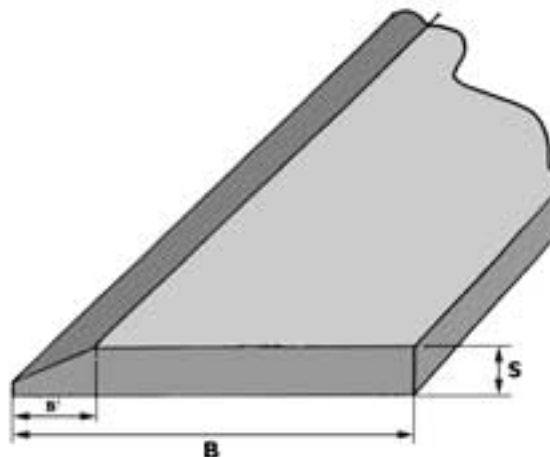
REF/ number	Volume	Carriage	Width (D)	Depth (E)	Depth (G)	Height (B) fork carriage width (C)	Min centre	Load thickness	Body of gravity (ESP)	Own centre	Weight
	litre	fem	mm	mm	mm	mm	mm	mm	mm	mm	mm
107TA6286	700	2	1300	900	1300	1000	1000	740	210	320	500
107TA6287	700	3	1300	900	1300	1000	1000	740	210	320	500
107TA6288	900	2	1300	900	1300	1100	1000	680	210	320	520
107TA6289	900	3	1300	900	1300	1100	1000	680	210	320	520
107TA6290	1000	2	1500	1050	1450	1100	1000	740	210	320	530
107TA6291	1000	3	1500	1050	1450	1100	1000	740	210	320	530
107TA6292	1250	2	1800	1250	1450	1100	1000	750	210	340	540
107TA6293	1250	3	1800	1250	1450	1100	1000	750	210	340	540
107TA6294	1500	2	2000	1250	1500	1100	1000	800	210	400	595
107TA6295	1500	3	2000	1250	1500	1100	1000	800	210	400	595
107TA6296	1800	3	2000	1300	1600	1260	1000	980	210	600	620
107TA6297	1800	4	2000	1300	1600	1260	1000	980	210	600	620

Hydraulic cylinders delivered without hydraulic hoses. It is best to use a scoop which is slightly wider than the forklifttruck. Other dimensions on request. Painted red.



ATTACK BLADES FOR BUCKETS

REF/ number	Kg/m	B	S	B1
107TA6280	18	150	16	30
107TA6281	23	15	20	35
107TA6282	31	200	20	35
107TA6283	37	200	25	41
107TA6284	47	250	25	41
107TA6285	56	250	30	40



ROLL FORWARD SKIPS

The balanced skip body allows reloading without leaving the truck seat.
 To be fork mounted.
 Material thickness 3 mm.
 Water and oil proof.
 Fully tested and supplied with a CE certificate.
 Thanks to the unique unlatching mechanism(buffer), the container topples over automatically, without the driver having to leave his seat.
 Furthermore the container can also be emptied manually by means of a lever and cable.

REF./ number without wheels	REF./ number with black rubber wheels	REF./ number with white nylon wheels	REF./ number without wheels and with cover	REF./ number with black rubber wheels and cover	REF./ number with white nylon wheels and cover	Volume	Width (mm)	Length (mm)	Width of frame (mm)	Max fork section	Length of frame (mm)	Height without	Height with wheels (mm)	maximum forklength for autom. locking	Weight	Weight with cover
						Litre	A	B	C	MM	D	H	H	MM	KG	KG
107TA6328	107TA6298	107TA6304	107TA6310	107TA6316	107TA6322	600	864	1450	730	200x100	1110	884	1134	1200	180	210
107TA6329	107TA6299	107TA6305	107TA6311	107TA6317	107TA6323	900	1314	1450	730	200x100	1110	884	1134	1200	206	250
107TA6330	107TA6300	107TA6306	107TA6312	107TA6318	107TA6324	1100	1064	1803	730	200x100	1320	1066	1316	1400	231	288
107TA6331	107TA6301	107TA6307	107TA6313	107TA6319	107TA6325	1500	1544	1803	730	200x100	1616	1066	1316	1400	324	390
107TA6332	107TA6302	107TA6308	107TA6314	107TA6320	107TA6326	2000	1280	1977	1050	200x100	1616	1396	1646	1700	350	410
107TA6333	107TA6303	107TA6309	107TA6315	107TA6321	107TA6327	2500	1530	1977	1050	200x100	1616	1396	1646	1700	376	448

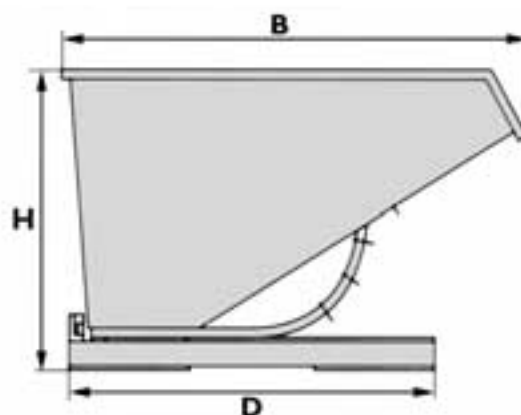
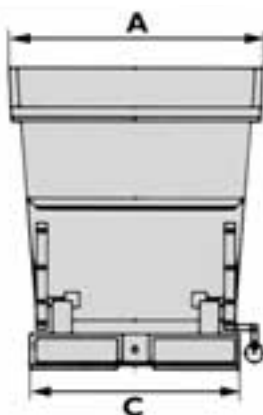
* 2 swivel castors and 2 fixed castors, diameter 200 mm

If the forks are too long to use the automatic fork lock, the container can be locked on the fork carriage with a chain.

Options: Perforated bottom with tap
 Galvanised finish
 Other dimension upon request.



automatic forklock



buffer for automatic clearing



Roll forward skip with cover equipped with two gas springs

ROLL FORWARD SKIPS

Balanced skip body allows relocking without leaving the truck seat.
 The ultimate container for industrial and production waste etc.
 Ideally placed load centre of gravity.
 Tipping guide.
 Balanced frame.
 Unlatching is possible from both sides.
 The skip is entirely mechanically operated from the liftruck by using a lever system.
 Suitable for low weight materials.

To be fork mounted
 material thickness 3 mm
 secured on the fork carriage with chain
 Fully tested and supplied with a CE certificate
 painted finish

REF/ without wheels	* REF/ with wheels	Volume	Width of the skip	Overall width of the skip	Depth of the skip	Overall depth of the skip	Height of the skip	Total height of the skip	Total height with wheels	Min. fork spread between forks	Max. fork section	Weight
		Litre	mm	mm	mm	mm	mm	mm	mm	mm	mm	KG
107TA6337	107TA6334	500	740	1008	1240	1320	960	1060	1260	600	200x80	164
107TA6338	107TA6335	750	1110	1190	1240	1320	960	1060	1134	600	200x80	188
107TA6339	107TA6336	1000	1480	1560	1240	1110	960	1060	1134	600	200x80	170

* 2 nylon swivel castors and 2 nylon fixed castors, diameter 200 metre

Options: Perforated bottom with tap
 Water and oil proof
 Galvanised finish
 Other sizes as required



LOW LOADING SKIPS

These skips are particularly suitable for applications based on a low construction height, such as work benches, punching and cutting machines, saws etc. Generally the container is supplied in dimensions varying from 0,3 up to 1,5m³. However other dimensions are available upon request. Another big advantage, is the favourable angle at which this guarantees a completely empty skip, even with viscous liquids.

The scoop is entirely mechanically operated from the lifttruck by using a lever system Fully tested with a CE certificate supplied. Secured on the fork carriage with chain.



REF/ number	* REF/ number with 4 castors	** REF/ number with adj. skip brake	***REF/ With 4 castors and adj. skip brake	Volume	Width (mm)	Overall width of the bucket	Depth	Overall depth of the bucket	Height	Overall height of the bucket	Total height with castors	Min fork spread between forks	Max fork section	Weight
				litre	mm	mm	mm	mm	mm	mm	mm	mm	mm	kg
107TA6353	107TA6344	107TA6347	107TA6350	500	700	780	1200	1440	680	690	880	150	150X60	121
107TA6354	107TA6345	107TA6348	107TA6351	750	1200	1280	1200	1440	680	690	880	495	200X60	156
107TA6355	107TA6346	107TA6349	107TA6352	1000	1100	1230	1300	1880	720	720	920	515	160X70	230
107TA6360	107TA6356			1300	1300	1430	1500	1880	720	720	920	515	160X70	260
107TA6361	107TA6357	107TA6358	107TA6359	1500	1200	1280	1400	1640	1090	1100	1290	495	200x60	215

* With 2 swivel nylon castors and 2 fixed nylon castors, diameter 200 MM.

** With adjustable skip brake

*** With 2 nylon swivel castors and 2 fixed nylon castors, diameter 200 MM and adjustable skip brake

500, 750 and 1500 litre low loading skips are painted orange, other types are painted red.



The adjustable skip brake prevents the containers from being emptied in fits and starts. This results in less noise and less damage to the lift-truck.

options:

galvanised cover in two parts
perforated bottom with tap
galvanised finish other dimensions
on request, oil and water proof.



BOTTOM EMPTYING DUMPING SKIPS

Bottom emptying dumping skips are designed to simplify the movement and disposal of factory waste.

The scoop is entirely mechanical operated from the lifttruck by using a lever system Secured on the fork carriage with chain.

Painted orange

Fulley tested and supplied with a CE certificate

Minimum fork length required: 1100mm.

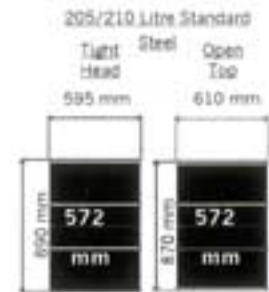


REF/ number	Volume	Width	Depth	Height	Min fork spread between forks	Max fork section	Weight
	litre	mm	mm	mm	mm	mm	kg
107TA6340	570	1200	800	910	630	160x65	170
107TA6341	750	1035	1304	930	630	160x66	188
107TA6342	1000	1036	1304	1160	630	160x67	211
107TA6343	1500	1035	1904	1160	630	160x68	265

MECHANICAL DRUM CLAMP TO SUPPORT STEEL DRUMS FROM THE TOP

REF./number	Capacity	No. of drums	Min fork spread between forks	Max fork section	Weight
	kg		mm	mm	kg
107TA6370	500	1	510	160x65	90
107TA6371	1000	2	510	160x65	145
107TA6372	1500	3	510	160x65	175

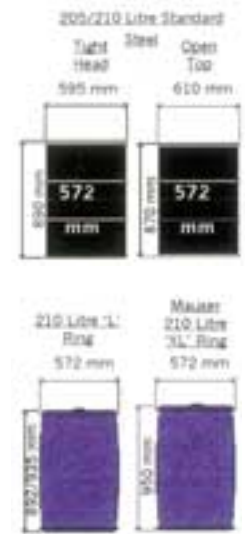
Other types upon request
Fully tested and supplied with a CE-certificate.
Secured on the fork carriage with chain
Painted red
Automatic drum locking and releasing



DRUM CLAMP TO SUPPORT STEEL DRUMS, PLASTIC L RING AND XL RING DRUMS FROM THE TOP

REF./number	Capacity	No. of drums	Min fork spread between forks	Max fork section	Weight
	kg		mm	mm	kg
107TA6366	400	1	510	160X65	95
107TA6367	800	2	510	160X65	145
107TA6368	1200	3	510	160X65	188
107TA6369	1600	4	510	160X65	239

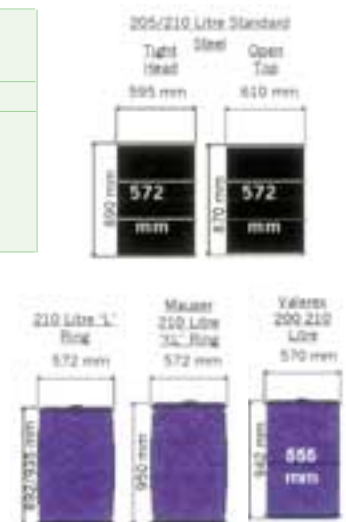
Other types upon request
Fully tested and supplied with a CE-certificate.
Secured on the fork carriage with chain
Painted red
Automatic drum locking and releasing



DRUM CLAMP TO SUPPORT STEEL DRUMS, PLASTIC L RING, XL RING DRUMS AND VALEREX DRUMS FROM THE TOP

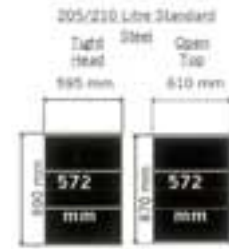
REF./number	Capacity	No. of drums	Min fork spread between forks	Max fork section	Weight
	kg		mm	mm	kg
107TA6362	400	1	510	160X65	95
107TA6363	800	2	510	160X65	145
107TA6364	1200	3	510	160X65	188
107TA6365	1600	4	510	160X65	239

Other types upon request
Fully tested and supplied with a CE-certificate.
Secured on the fork carriage with chain
Painted red
Automatic drum locking and releasing



MECHANICAL DRUM CLAMP TO SUPPORT STEEL DRUM, OF 200 LITRES, AT THE CONTOUR

REF/ number	Capacity	No. of drums	Min fork spread between forks	Max fork section	Weight
	kg		mm	mm	kg
107TA6377	500	1	425	125X45	40
107TA6378	1000	2	635	160X65	60

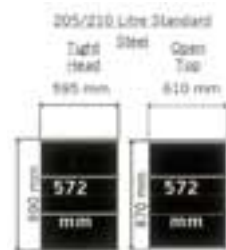


Other types upon request
Fully tested and supplied with a CE-certificate.
Secured to the forks by thumb screws
Painted orange
Automatic drum locking and releasing

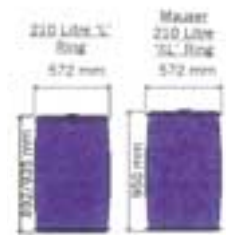


MECHANICAL DRUM CLAMP TO SUPPORT STEEL DRUM OF 200 LITRES, PLASTIC L RING AND PLASTIC XL RING DRUMS, AT THE CONTOUR

REF/ number	Capacity	No. of drums	Min fork spread between forks	Max fork section	Weight
	kg		mm	mm	kg
107TA6375	500	1	425	125X45	42
107TA6376	1000	2	635	160X65	62



Other types upon request
Fully tested and supplied with a CE-certificate.
Secured to the forks by thumb screws
Painted orange
Automatic drum locking and releasing



DRUM POSITIONER

Designed for up ending or laying flat 200 litres steel drums.
without the truck driver leaving his seat.
The drum positioner is entirely mechanically operated from the lifttruck by using a lever system.

REF/ number	Capacity	No. of drums	Min fork spread between forks	Max fork section	Weight
	kg		mm	mm	kg
107TA6373	500	1	290	150x60	75
107TA6374	500	2	290	150x60	130

The attachment will not work on smooth floors

Other types upon request
Fully tested and supplied with a CE-certificate.
Secured on the fork carriage with chain
Painted orange



ATTACHMENTS

For all our latest catalogue updates and company info: www.tvh.be

DRUM ROTATORS

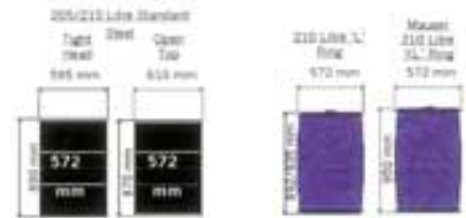
DRUM ROTATORS

Drum rotators are specially designed for controlled and effortless pouring of contents from all drums. All drum rotators are fitted with worm gear boxes which feature full 360 degree rotation and unique locking facility enabling drums to be held at any angle. You can take steel drums of 200 litres steel, plastic L ring and XL drums of 210 litres with this rotator.

The plastic drums may not be egg shaped or conical.

REF./ number	Mounting	No. of drums	Type of drum	capacity	Rotating	Type of control	Min fork spread between forks	Max fork section	Weight
				kg	°	mm	mm	kg	
107TA6380	Fork	1	steel	360	360	hand wheel	680	180x80	83
107TA6381	Fork	1	steel	360	360	looped chain	680	180X60	90
107TA6379	Fork	1	steel&plastic	360	270	hand wheel	540	150X60	146
107TA6382	Fork	1	steel&plastic	360	270	looped chain	540	150X60	152
107TA6383	crane	1	steel	360	360	looped chain	350	180x70	98

Fully tested and supplied with a CE-certificate. Secured on the fork carriage with chain. Drum rotators for steel drums are painted red, other executions painted orange.



REF./ 107TA6379



REF./ 107TA6383



REF./ 107TA6380

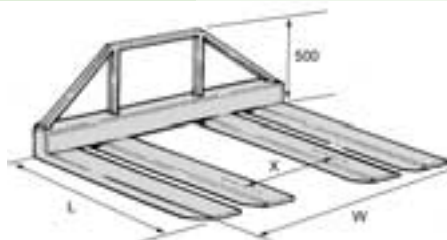
FOUR FORK ATTACHMENTS

Four fork attachments are designed to increase load stability when handling wide pallets or long objects. Ideal to prevent sagging and reducing damage to wide loads.

REF./ number	W (mm)	Capacity (kg)	L (mm)	Max fork section (mm)
107TA6384	1500	1500	1200	150 x 60
107TA6385	2000	2000	1200	150 x 60
107TA6386	2500	2500	1200	150 x 60
107TA6387	3000	3000	1200	150 x 60

Safely secured behind the fork heels by locking pins. (similar as fork extensions). Quickly attached and removable. Polyester powder coated in bright orange for safety. Fully tested with a certificate supplied.

Please indicate at time of order, section, dimension X and length of the forks mounted on your truck.



ATTACHMENTS

For all our latest catalogue updates and company info: www.tvh.be

SNOW PLOUGHS

FIXED SNOW PLOUGH

A fork mounted plough with a fixed blade position which clears the snow to the right. A standard rubber wear strip is fitted along the bottom of the blade.

REF./ number	Blade width	Blade height	Min fork spread between forks	Max fork section	Weight
	mm	mm	mm	mm	kg
105TA2762	1800	500	610	190X50	160

Other types upon request.
Fully tested and supplied with a CE-certificate.
Secured on the fork carriage with chain.
Painted red



ADJUSTABLE SNOW PLOUGH

A fork mounted plough, a simple adjustment allows to sweep left, right inclined 30° or straight ahead.

Rubber blade insert fitted as standard.
Suitable for smooth surfaces.

REF./ number	Blade width	Blade height	Min fork spread between forks	Max fork section	Weight
	mm	mm	mm	mm	kg
105TA2763	1800	500	610	190x50	180
107TA6390	2000	620	420	184X84	214
107TA6391	2400	620	420	184X84	239

Other types upon request.
Fully tested and supplied with a CE-certificate.
Secured on the fork carriage with chain.
Width 1800mm painted red, other types painted orange.



SPRUNG SNOW PLOUGH

A fork mounted plough, ideal for cleaning areas where hidden objects are likely to be encountered. Spring load blade minimises damage to the plough and to objects such as manhole covers. Suitable for rough surfaces.

REF./ number	Blade width	Blade height	Min fork spread between forks	Max fork section	Weight
	mm	mm	mm	mm	kg
105TA2764	1800	720	420	184X84	180
107TA6388	2000	720	420	184X84	250
107TA6389	2400	720	420	184X84	289

Other types upon request.
Fully tested and supplied with a CE-certificate.
Secured on the fork carriage with chain.
Painted orange



ATTACHMENTS

For all our latest catalogue updates and company info: www.tvh.be

YARD SCRAPERS & MAST SUPPORT

YARD SCRAPERS

This attachment is a general purpose appliance suitable for a variety of scraping applications such as cleaning of warehouse floors, exhibition halls.

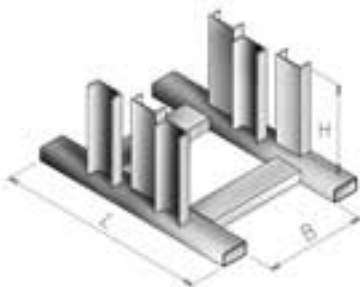
The squeegee rubber can be rotated 180° if worn on 1 side. (both sides are usable)
The squeegee rubber contains vulcalised wires for extra long use.
Fully tested and supplied with a CE certificate.

REF./	Blade width mm	Blade height mm	Blade thickness mm	Min fork spread between forks mm	Max fork section mm	Weight kg
107TA9626	2000	400	35	630	175x40	90
107TA6393	2650	400	35	630	175x40	130

Fork mounted
Secured with chain on the fork carriage
The yard scraper is painted red



MAST SUPPORT



REF./	dimensions (mm)		
	L	B	H
105TA2760	1200	580	500
105TA2761	1200	700	500

SAFETY CAGES

Work platforms perform a variety of applications, they are particularly suitable for routine maintenance, inspection and for stock taking purposes. Whatever the application, work platforms ensure confidence and safety to all users when working at high levels.

REF./	REF./ number with 4 castors	mounting	complies to the safety regulations for the following countries European community	toolbox	weight (kg)	capacity (kg)
107TA6395	107TA6397	fork	European community with the exception of France and The Netherlands	yes	120	300
107TA6396	107TA6398	fork	The Netherlands	yes	130	300
107TA6394	107TA6399	crane on 4 points, fork	European community with the exception of France and The Netherlands	no	200	300

platform size: 1115x1200x1890mm.

capacity: 2 persons

safely secured to truck using locking pins behind the fork heels

all models suitable for a maximum 200x80mm fork sizes

fully tested with a CE-certificate supplied

painting orange



REF./107TA6395



REF./107TA6394



REF./107TA6394



REF./107TA6396

FOLDABLE SAFETY CAGE

Work platforms perform a variety of applications, they are particularly suitable for routine maintenance, inspection and for stock taking purposes.

Whatever the application, work platforms ensure confidence and safety to all users when working at high level.

Neat and tidy, easy to store. Can be assembled in under a minute.

The finished product is solid and durable, note the tunnel guides for forks.

REF./ number	REF./ number with toolbox	REF./ toolbox number with toolbox and 4 castors	mounting	complies to the safety regulations for the following countries	weight (kg)	capacity(kg)
107TA6402	107TA6401	107TA6400	fork	European community with the exceptions of Belgium, France and the Netherlands	120	300

platform size: 1090x1200x1890mm.

capacity: 2 persons

safely secured to truck using locking pins behind the fork heels

all models suitable for a maximum 200x80mm fork sizes

fully tested with a CE certificate supplied

Painted orange



SAFETY CAGE FOR TELESCOPIC TRUCK

Work platforms perform a variety of applications, they are particularly suitable for routine maintenance, inspection and for stock taking purposes.

Whatever the application, work platforms ensure confidence and safety to all users when working at high levels.

REF./ number	Dimensions	Rotating	Capacity	Capacity	Weight
	mm	degrees	persons	kg	kg
107TA6403	4000 x 1250 x 1250	0° 2	400	475	
107TA6404	4000 x 1250 x 1250	0° 2	400	375	
107TA6405	4000 x 1250 x 1250	180° 2	400	720	
107TA6406	4000 x 1250 x 1250	180° 2	400	580	

Remote control available upon request.

Complies to the EEC-safety regulations.

Fully tested and supplied with CE-certificate.

Width of the cage is 4000 mm but can easily be adjusted to 2500 mm to facilitate driving.

REF./ 107TA6405 and **107TA6406** are equipped with a manual hydraulic pump to enable a rotation of 180°.

REF./ 107TA6404 and **107TA6406** have an aluminium floor to minimise the weight of the cage.

The cage must only be used on telescopic fork truck and never on a standard trucks. The cage is mounted on the truck using the "fast mounting" system on fork carriage of the truck. Please advise make, type and reference of the truck when ordering.



MANUAL TELESCOPIC CRANE JIB

The fork mounted crane jib has 2 adjustable turning safety hooks.
 The hooks can be adjusted every 250 mm
 The crane jib is safely secured behind fork heels with locking pins.
 The fixed crane arm has a length of 2000mm with a total telescopic length of 3000 mm

REF./ number	Capacity at 500mm load center	load center 750 mm	load center 1000 mm	load center 1250 mm	load center 1500 mm	load center 1750 mm	load center 2000 mm	load center 2250 mm	load center 2500 mm	load center 2750 mm	load center 3000 mm	Maximum arm length	Min fork spread between forks	Max fork section	Weight
	kg	kg	kg	kg	kg	kg	kg	kg	kg	kg	kg	mm	mm	mm	kg
107TA6410	2000	1800	1600	1200	900	600	500	400	350	280	200	3000	450	150x60	151
107TA6411	3000	2700	2100	1600	1100	850	715	620	440	320	250	3000	450	150x60	153
107TA6412	4000	3800	3200	2500	1900	1100	975	850	650	500	400	3000	450	150x60	156

Please keep the capacity of the lifttruck in mind.

Fully tested and supplied with a CE-certificate.
 Painted orange

Options: Longer arms

Warning:
 Minimum forklift length required to maintain capacities listed above is 1200 mm!



MANUAL CRANE JIB

The fork mounted crane jib has adjustable turning safety hook.
 The hook can be adjusted every 250mm.
 The crane jib is safely secured behind fork heels with locking pins.

REF./ number	Capacity at 500 mm load center	load center 750 mm	load center 1000 mm	load center 1250 mm	load center 1500 mm	load center 1750 mm	Maximum arm length	Min fork spread between forks	Max fork section	Center of gravity	Weight
	kg	kg	kg	kg	kg	kg	mm	mm	mm	mm	kg
107TA6407	2000	1800	1600	1200	900	600	1750	450	150x60	675	131
107TA6408	3000	2700	2100	1800	1100	850	1750	450	150x60	757	133
107TA6409	4000	3800	3200	2500	1900	1100	1750	450	150x60	757	136

Please keep the capacity of the lifttruck in mind.

Fully tested with a CE certificate supplied.
 Painted orange

Options: Longer arms

Warning:
 Minimum forklift length required to maintain capacities listed above is 1200 mm!



CARRIAGE MOUNTED HIGHER LIFTING CRANE JIBS

Higher lifting jibs are specifically designed to convert a forklift truck into a high lift mobile crane. The carriage mounted crane jib has an adjustable turning safety hook. The crane jib is supplied complete with quick release bottom hangers as standard. The hook can be manually adjusted every 250mm.

REF./ number	Capacity at 500mm load centre	Mounting class	Arm length	Distance from hook to ground level	Centre of gravity	Weight
	kg	fem	mm	mm	mm	kg
107TA6419	1000	2	1810	1000	408	250
107TA6420	2000	2	1810	1000	400	253
107TA6421	3000	3	1810	1000	390	258
107TA6422	4000	3	1810	1000	388	260

CAPACITY DIAGRAM

REF./ number	load centre 500 mm	load centre 1000 mm	load centre 1250 mm	load centre 1500 mm	load centre 1750 mm
	kg	kg	kg	kg	kg
107TA6419	1000	800	700	500	405
107TA6420	2000	1500	1350	800	420
107TA6421	3000	2400	1750	900	410
107TA6422	4000	3000	2000	1000	440

Please keep the capacity of the lifttruck in mind. Fully tested with a CE-certificate-supplied. Painted orange

Options: Longer arms
Same execution but fork mounting
Swinging crane arms, mechanical or hydraulic



CARRIAGE MOUNTED CRANE JIBS

The carriage mounted crane jibs are economically designed to convert a forklift truck into a mobile crane. The carriage mounted crane jib has an adjustable turning safety hook. The crane jib is supplied complete with quick release bottom hangers as standard. The hook can be manually adjusted every 250mm.

REF./ number	Mounting class	Capacity at 1000 mm load centre	Load centre 1250 mm	Load centre 1500 mm	Load centre 1750 mm	Maximum arm length	Distance from hook to ground level	Centre of gravity	Weight
	fem	kg	kg	kg	kg	kg	mm	mm	kg
107TA6413	2	1000	750	500	250	1800	250	610	130
107TA6414	2	2000	1750	1400	800	1800	250	600	131
107TA6415	3	3000	2750	2000	1000	1800	250	590	132
107TA6416	3	4000	3400	2750	1500	1800	250	582	133
107TA6417	4	5000	4000	3000	2000	1800	250	575	160
107TA6418	4	6000	5000	4000	3000	1800	250	560	166

Please keep the capacity of the lifttruck in mind. Fully tested with a CE-certificate supplied. Painted orange

Options: Longer arms
Same execution but fork mounting



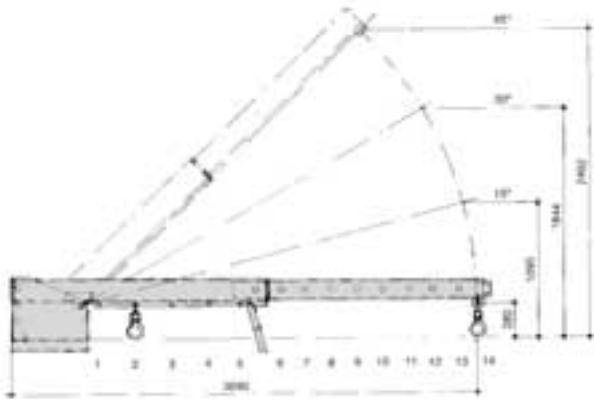
MANUAL TELESCOPIC CRANE JIB IN LENGTH AND HEIGHT

The carriage mounted crane jib has two adjustable turning safety hooks.
 The hook can be manually adjusted in 14 positions in the length and in positions in height.
 The crane jib is safely secured with a chain on the fork carriage.
 Standard length of the arm is 2000 mm, maximum length of the arm is 3690 mm.
 The crane jib has to be mounted on the forks and with the back of the jib to the back of the forks.

REF./ number	Capacity at 695 mm load centre	Minimum fork length	Min fork spread between forks	Max fork section	Centre of gravity	Weight
	kg	mm	mm	mm	mm	kg
107TA6423	2500	800	150	160x70	580	218
107TA6424	5000	800	150	160x70	600	250

REF./ number	Capacity / Load centre													
	1	2	3	4	5	6	7	8	9	10	11	12	13	14
	695	990	1285	1580	1825	2090	2290	2490	2690	2890	3090	3290	3490	3690
	kg	kg	kg	kg	kg	kg	kg	kg	kg	kg	kg	kg	kg	kg
107TA6423	2500	2500	2500	1800	1400	1200	1050	950	850	770	700	650	600	560
107TA6424	5000	3550	2750	2250	1950	1700	1550	1400	1300	1200	1150	1050	1000	950

Please keep the capacity of the lifttruck in mind.
 Fully tested and supplied with a CE-certificate.
 Painted orange
 options: longer arms



ADJUSTABLE FORK MOUNTED HOOKS

REF./ number	Capacity	Min fork spread	Max fork section between forks	Weight
	kg	mm	mm	kg
107TA6425	2500	300	160X60	20KG
107TA6426	3000	300	150X60	25KG
107TA6427	4000	300	150X70	27KG
107TA6428	5000	300	180X70	30KG

Fully tested and supplied with a CE-certificate.
 Secured on the forks with thumb screws.
 Safety swivel hook turns 360°.
 Painted orange



ATTACHMENTS

For all our latest catalogue updates and company info: www.tvh.be

FAX FORM: LOAD BACK RESTS

TECHNICAL DETAIL: LOAD BACK RESTS

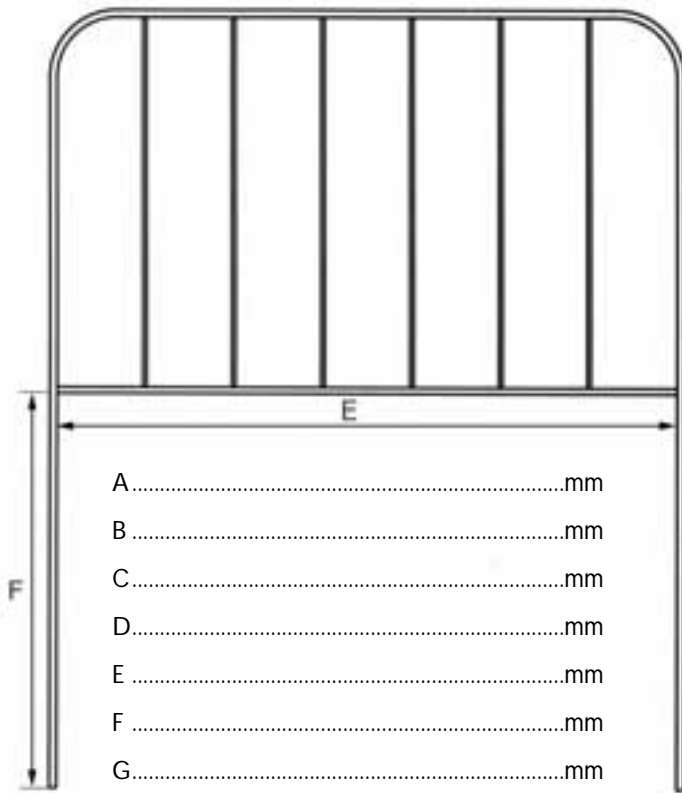


Company:

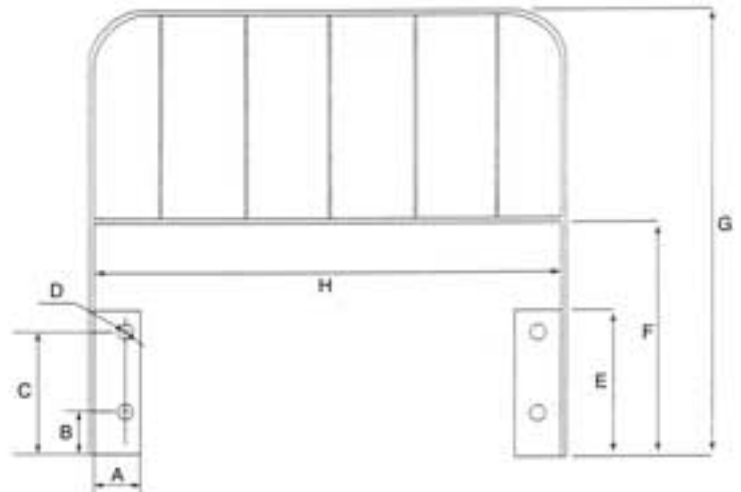
Customer code:

Name:

Fax number:



- Amm
 Bmm
 Cmm
 Dmm
 Emm
 Fmm
 Gmm
 Hmm

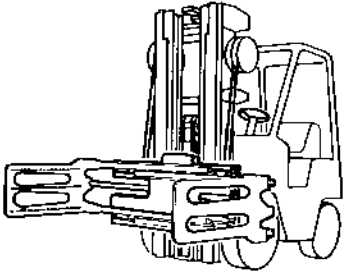


ATTACHMENTS

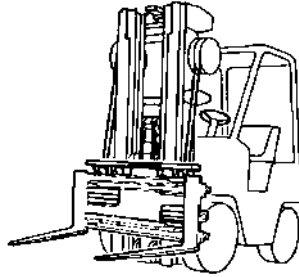
For all our latest catalogue updates and company info: www.tvh.be

ATTACHMENTS

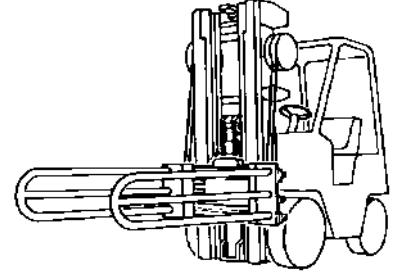
BALE CLAMPS



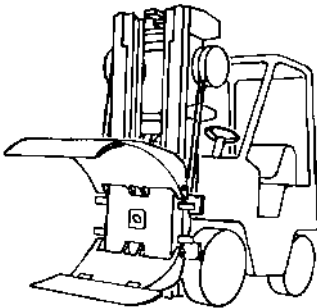
ADJUSTABLE CLAMPS



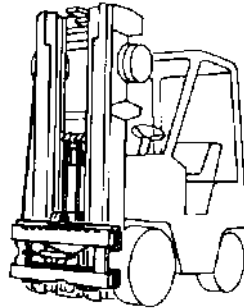
FOAM RUBBER CLAMPS



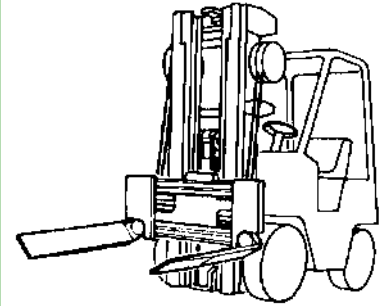
360° CONTINUOUS ROTATION ROLL CLAMPS



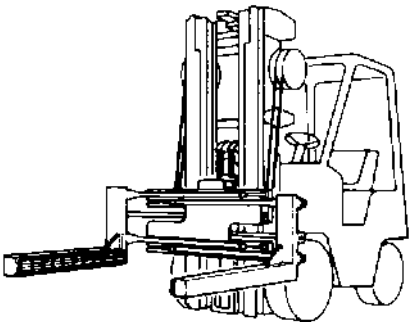
SIDE-SHIFTS



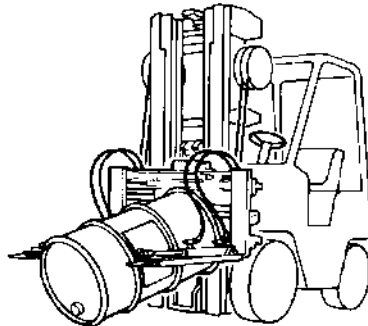
TURN-A-FORK



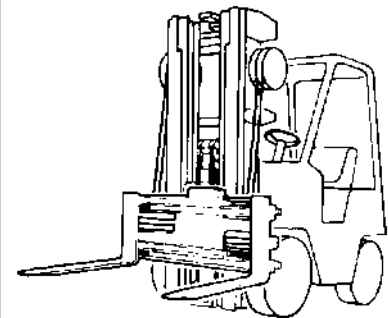
BLOCK CLAMPS



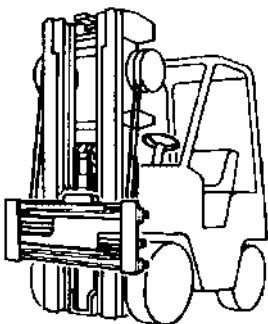
DRUM-TIPPING CLAMPS



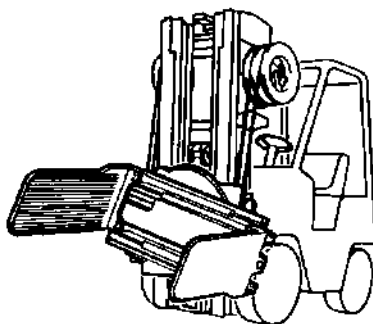
FORK POSITIONERS



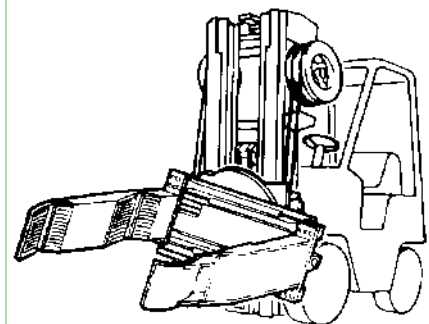
LOAD CLAMPS WITHOUT ARMS



MULTI-PURPOSE CLAMPS



DRUM CLAMPS

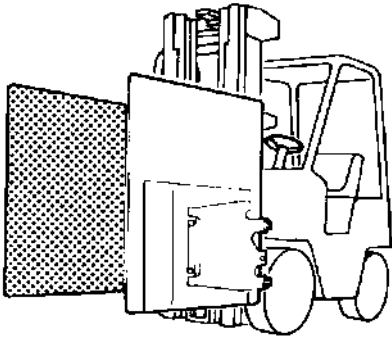


ATTACHMENTS

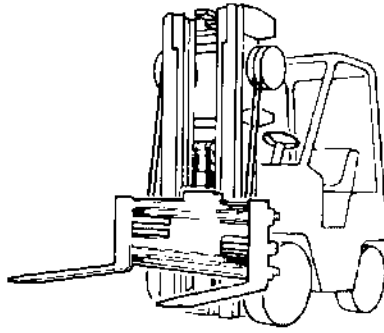
For all our latest catalogue updates and company info: www.tvh.be

ATTACHMENTS

APPLIANCE CLAMPS



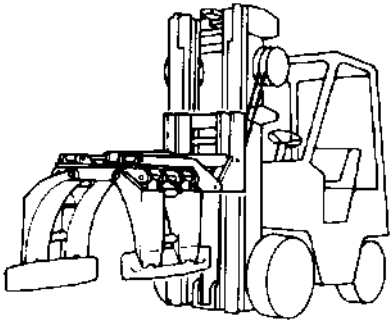
FORK CLAMPS



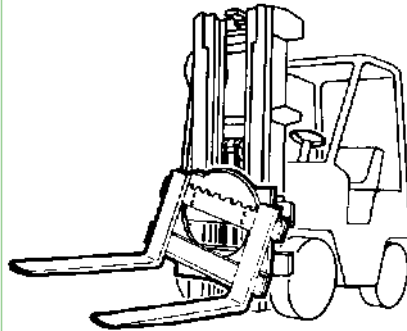
TURN-A-LOAD



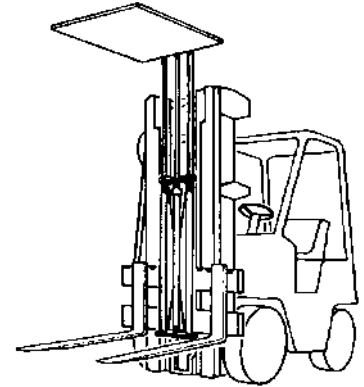
ROLL UPENDERS



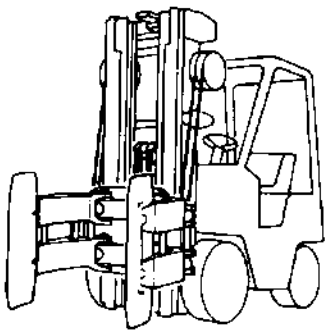
ROTATORS



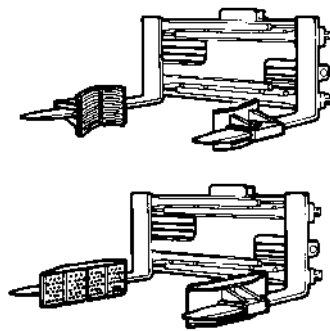
LOAD STABILIZERS



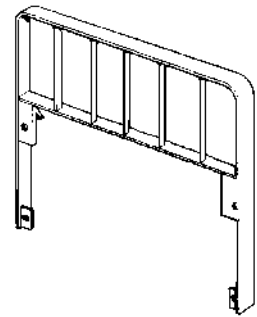
360° CONTINUOUS
ROTATION ROLL CLAMPS



SLIP-ON
MULTI PURPOSE ARMS



LOAD BACK REST



ATTACHMENTS

For all our latest catalogue updates and company info: www.tvh.be

SPARE PARTS FOR SIDE SHIFTS

SPARE PARTS USED FOR SIDE SHIFTS - BOLZONI TYPE: SL4 , SL5 & SL6

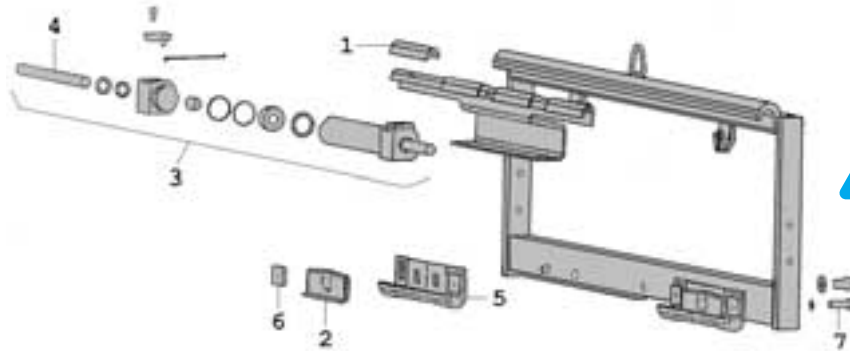


Fig. no.	Qty.	Description	Reference Type SL4	Reference Type SL5	Reference Type SL6
1*	4	Upper bearing	107TA6451	107TA6429	107TA6429
2 *	2	Lower bearing	107TA6452	107TA6430	107TA6430
3	1	Cylinder	107TA6431	107TA6431	107TA6447
	1	Repair kit	107TA6432	107TA6432	107TA6448
4	2	Rod	107TA6433	107TA6433	107TA6449
5	2	Lower hook	107TA6453	107TA6434	107TA6434
6	4	Hook fixed plate	107TA6454	107TA6435	107TA6435
7	4	Bolt	107TA6455	107TA6436	107TA6450
*		Bearing kit	107TA6456	107TA6437	107TA6437

* = Bearing kit: including upper and lower bearing

SPARE PARTS USED FOR SIDE SHIFTS - RONCARI TYPE: DSL2 & DSL3

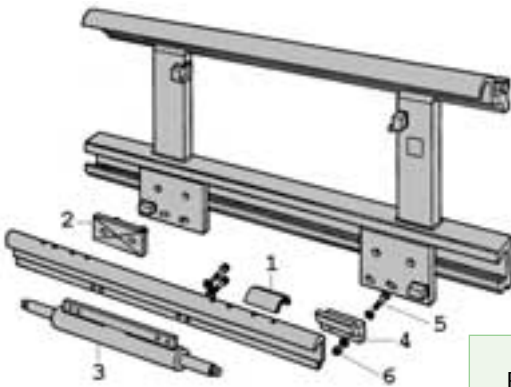


Fig. no.	Qty.	Description	Reference Type DSL2	Reference Type DSL3
1 *	4	Upper bearing	107TA6457	107TA6438
2 *	2	Lower bearing	107TA6439	107TA6439
3	1	Cylinder	107TA6458	107TA6440
	1	Repair kit	107TA6459	107TA6441
4 **	2	Bracket	107TA6460	107TA6442
5 **	4	Bolt	107TA6461	107TA6443
6 **	4	Nut	107TA6462	107TA6444
*		Bearing kit	107TA6463	107TA6445
**		Hook kit (compl. for 1 hook)	107TA6464	107TA6446

* = Bearing kit: including upper and lower bearing

** = Hook kit: including bracket, bolt and nut (Compl. for 1 hook)

SPARE PARTS USED FOR SIDE SHIFTS - BOLZONI SU4 - SU5 - SU6



used for **BOLZONI SU4**

	Partno.	REF./ pc.	Qty.
*Upper bearing	1	107TA6465	5
*Lower bearing	2	107TA6466	2
Seal kit	3	107TA6467	1
** Hook	4	107TA6468	2
** Bolt	5	107TA6469	4
** Nut	6	107TA6476	4
* Bearing Kit		107TA6471	
** Hook kit		107TA6472	
(compl. for 1 hook)			

used for **BOLZONI SU5**

*Upper bearing	1	107TA6473	5
*Lower bearing	2	107TA6466	2
Seal kit	3	107TA6467	1
** Hook	4	107TA6474	2
** Bolt	5	107TA6475	4
** Nut	6	107TA5355	4
* Bearing Kit		107TA6477	
** Hook kit		107TA6478	
(compl. for 1 hook)			

used for **BOLZONI SU6**

*Upper bearing	1	107TA6473	5
*Lower bearing	2	107TA6466	2
Seal kit	3	107TA6479	1
** Hook	4	107TA6474	2
** Bolt	5	107TA6475	4
** Nut	6	107TA5355	4
* Bearing Kit		107TA6477	
** Hook kit		107TA6478	
(compl. for 1 hook)			

* = Bearing kit: including upper and lower bearing

** = Hook kit: including hook, bolt and nut (Compl. for 1 hook)

SPARE PARTS USED FOR SIDE SHIFTS - CASCADE 30D - 55D - 60D - 100D - 40E - 55E



used for CASCADE 30D

	Partno.	REF./ pc.	Qty.
*Upper bearing	1	107TA6491	2
*Lower bearing	2	107TA6492	2
Seal kit	3	107TA6493	1
**Hook	4	107TA6494	2
**Bolt	5	107TA6487	4
**Nut	6	107TA6495	4
* Bearing Kit		107TA6496	
** Hook kit		107TA6497	
(compl. for 1 hook)			

used for CASCADE 60D

	Partno.	REF./ pc.	Qty.
*Upper bearing	1	107TA6498	2
*Lower bearing	2	107TA6492	2
Seal kit	3	107TA6493	1
**Hook	4	107TA6499	2
**Bolt	5	107TA6500	4
**Nut	6	107TA6495	4
* Bearing Kit		107TA6501	
** Hook kit		107TA6502	
(compl. for 1 hook)			

used for CASCADE 55D

*Upper bearing	1	107TA6491	2
*Lower bearing	2	107TA6492	2
Seal kit	3	107TA6493	1
**Hook	4	107TA6494	2
**Bolt	5	107TA6487	4
**Nut	6	107TA6495	4
* Bearing Kit		107TA6496	
** Hook kit		107TA6497	
(compl. for 1 hook)			

used for CASCADE 100D

*Upper bearing	1	107TA6498	2
*Lower bearing	2	107TA6503	2
Seal kit	3	107TA6504	1
**Hook	4	107TA6494	2
**Bolt	5	107TA6500	4
**Nut	6	107TA6495	4
* Bearing Kit		107TA6505	
** Hook kit		107TA6506	
(compl. for 1 hook)			



used for CASCADE 40E & 55E

	Partno.	REF./ pc.	Qty.
*Upper bearing	1	107TA6483	2
*Lower bearing	2	107TA6484	2
Seal kit	3	107TA6485	1
**Hook	4	107TA6486	2
**Bolt	5	107TA6487	4
**Nut	6	107TA6488	4
* Bearing Kit		107TA6489	
** Hook kit		107TA6490	
(compl. for 1 hook)			

* = Bearing kit: including upper and lower bearing

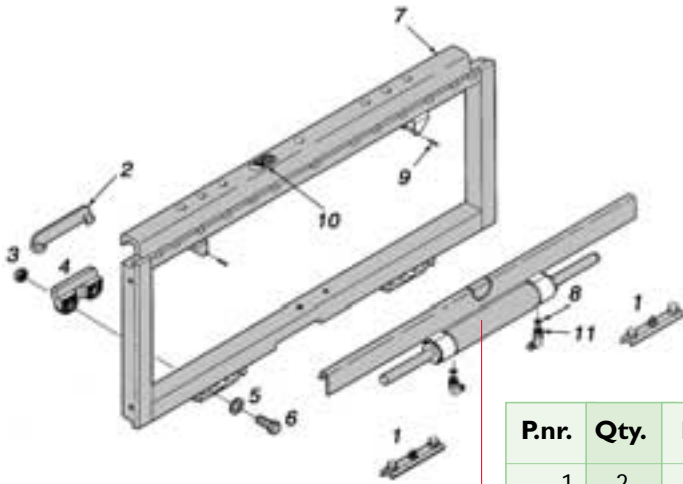
** = Hook kit: including hook, bolt and nut (Compl. for 1 hook)

ATTACHMENTS

For all our latest catalogue updates and company info: www.tvh.be

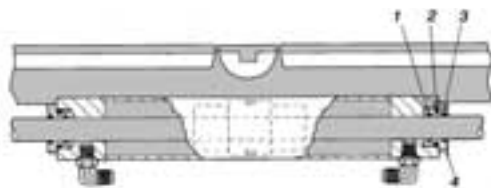
SPARE PARTS FOR SIDE SHIFTS

SPARE PARTS USED FOR SIDE SHIFTS - CASCADE 55F



P.nr.	Qty.	REF./	description
1	2	107TA6518	upper bearing nylon
1	2	107TA6519	upper bearing nylon from date of construction october 1999 and onwards
2	2	107TA6508	lower bearing nylon
2	2	107TA6507	lower bearing nylon from date of construction march 2000 and onwards
*3	4	107TA6520	nut
*4	2	107TA6486	lower hook
*5	4	107TA6521	washer
*6	4	107TA6522	capcrew
7	1		frame (on request, please indicate width or serial number of the side shift)
8	2	107TA6523	restrictor washer
9	2	107TA6524	roll pin
10	1		safety decal (no spare part)
11	2	107TA6525	fitting

* REF./ 107TA7684 Hook kit (complete for 1 hook)



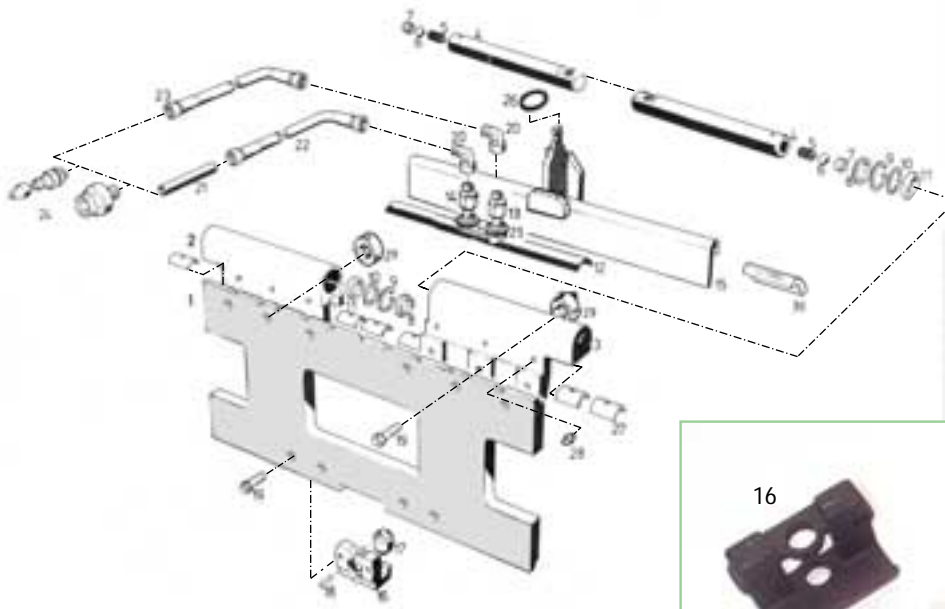
P.nr.	Qty.	REF./	description
	1	107TA6509	cylinder assembly for width of shift 780-840mm
	1	107TA6510	cylinder assembly for width of shift 859-899mm
	1	107TA6511	cylinder assembly for width of shift 900-1040mm
	1	107TA6512	cylinder assembly for width of shift 1050-1140mm
	1	107TA6513	cylinder assembly for width of shift 1150-1200mm
*1	2	107TA6514	rod seal
*2	2	107TA6515	o-ring
*3	2	107TA6516	rod wiper seal
4	2	107TA6517	retainer
*		107TA7685	seal kit

ATTACHMENTS

For all our latest catalogue updates and company info: www.tvh.be

SPARE PARTS FOR SIDE SHIFTS

SPARE PARTS USED FOR SIDE SHIFTS - KAUP 1T / 2T / 2,5T / 3T 151P2



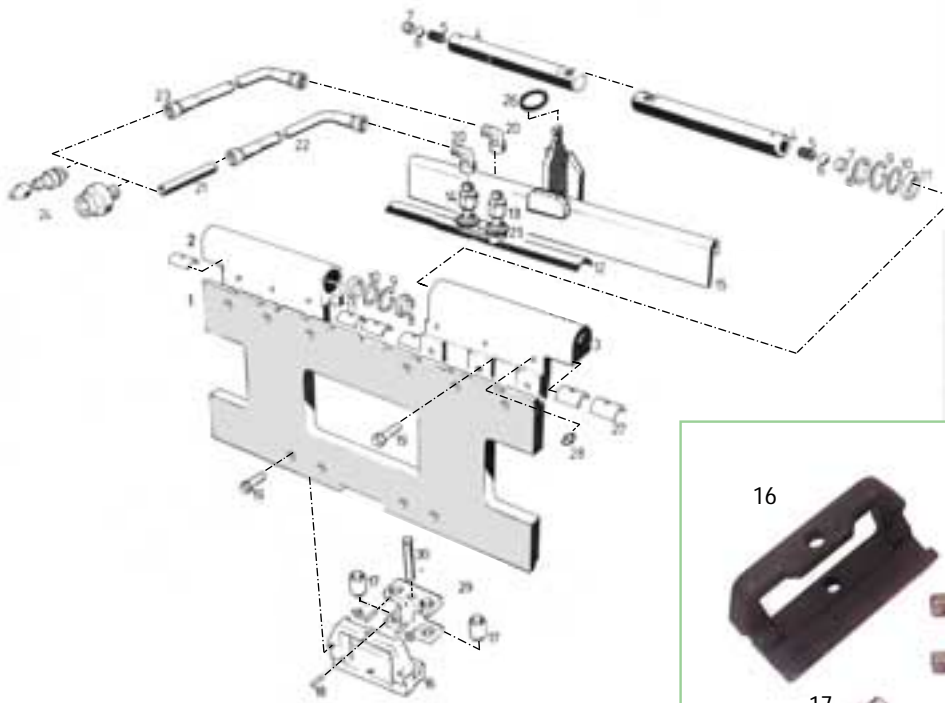
Partnr.	Qty.	REF./	Description
4,5,6,7 for 1T151P2 for 2T/2,5T/3T151P2	2 2	107TA6526 107TA6527	piston rod (stroke 80 mm) piston rod (stroke 100 mm)
* 16 for 1T/2,5T151P2 for 3T151P2	2 2	107TA6528 107TA6529	lower hook lower hook
*/ ** 17	2	104TA2360	supporting roller
*18	2	107TA6530	fixing pin
19	4	107TA6531	screw
** 27	6	107TA9542	upper bearing
29	2	107TA6533	partition part
30	4	107TA6534	intermediate element
*hook kit (compl. for 1 hook) for 1T/2,5T151P2 for 3T151P2		107TA6535 107TA6536	
** roller & bearing kit		107TA6537	
seal kit (2x ref.8 & 2x ref.9)		107TA8698	

ATTACHMENTS

For all our latest catalogue updates and company info: www.tvh.be

SPARE PARTS FOR SIDE SHIFTS

SPARE PARTS USED FOR SIDE SHIFTS - KAUP 4T - 5T 151P2

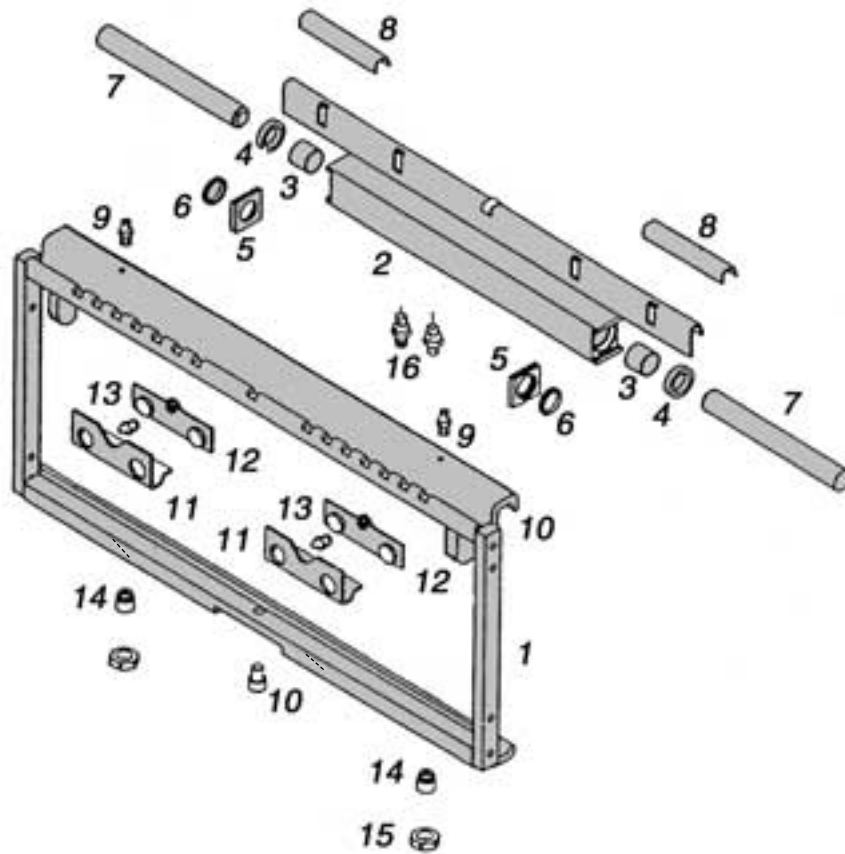


Partnr.	Qty.	REF./	description
4,5,6,7	2	107TA6539	piston rod (stroke 125 mm)
* 16	2	107TA6540	lower hook
* / ** 17	4	104TA2360	supporting roller
* 18	6	107TA6530	fixing pin
19	4	107TA6531	screw
** 27	6	107TA6532	upper bearing
* 29	2	107TA6541	holder
* 30	2	107TA6542	bolt
* hook kit (compl. for 1 hook)		107TA6543	
** roller & bearing kit		107TA6544	
seal kit (2x ref.8 & 2x ref.9)		107TA9541	

ATTACHMENTS

For all our latest catalogue updates and company info: www.tvh.be

SPARE PARTS USED FOR SIDE SHIFTS - KAUP 2T 151P4



Partnr.	Qty.	REF./	Designation
1	1	please indicate width or serial n° of sideshift	fork carriage
2	1	107TA6547 included (2-7)	guide
3	2	107TA6546	glycodur bush
* 4	2	107TA6548	groove ring
5	2	107TA6549	washer
* 6	2	107TA6550	striper
7	2	107TA6551	piston rod
** 8	2	107TA6552	upper bearing
9	2	107TA5529	greasing nipples
10	2	107TA6553	screw
11	2	107TA6554	hook
**12	2	107TA6555	lower bearing
13	2	107TA5529	greasing nipples
14	2	107TA6556	screw plug
15	2	107TA6557	nut
16	2	107TA6558	fitting
* seal kit		107TA6559	
** complete bearing kit		107TA6560	

* = Seal kit: including groove ring and striper

** = Bearing kit: including upper and lower bearing

ATTACHMENTS

ASK US ALSO ABOUT OUR RANGE OF SECOND HAND ATTACHMENTS

SECOND HAND ATTACHMENTS

TWIN PALLET HANDLER



PAPER ROLL CLAMP



APPLIANCE CLAMPHANDLER



BOX CLAMP



BALE CLAMP



PAPER ROLL CLAMP



FORK POSITIONER



ROTATOR



INVERT PALLET CLAMP



PUSH PULL



DRUM CLAMP



PUSH PULL



DRUM CLAMP



BLOC CLAMP



BALE CLAMP



FORK CLAMP



TVH CAN ALSO OFFER A RANGE OF SECOND HAND ATTACHMENTS
'AS - IS' OR FULLY RECONDITIONED

For all our latest catalogue updates and company info: www.tvh.be

VACUUM SYSTEM FOR LIFT-AND PALLETTRUCKS



8 reasons to buy the Vacuum lifting system :

1. Better working atmosphere
2. Saves people's back.
3. Less incompetence
4. Faster and better productflow
5. Better motivation of your employees
6. As a company you can show respect to the health of your employees
7. Less health contributions
8. Everybody can handle heavy weights.



Suction heads can be changed very easily, no special tools required

Technical specifications

- Unique telescopic lever
- With Vacuum hose
- Lever can be turned over 360°
- Different suction heads available in option
- Capacity : max. 120 kg
- Low noise level

VACUUM LIFTING SYSTEMS USED ON LIFTTRUCKS



Complete kits used on electric lifttrucks :

24VDC **REF./ 107TA6561**

48VDC **REF./ 107TA6562**

80VDC **REF./ 107TA6563**

Complete kits used on diesel and gasoline-trucks :

Please specify all truck details, we will make you an offer for the best suitable kit.

VACUUM LIFTING SYSTEMS USED ON ELECTRIC PALLET TRUCKS



Complete kits used on electric pallet trucks :

24VDC **REF./ 107TA6564**

48VDC **REF./ 107TA6565**

80VDC **REF./ 107TA6566**

VACUUM LIFTING SYSTEMS USED FOR GROUND INSTALLATION



Full kit used for ground installation :
380VAC
REF./ 107TA6567



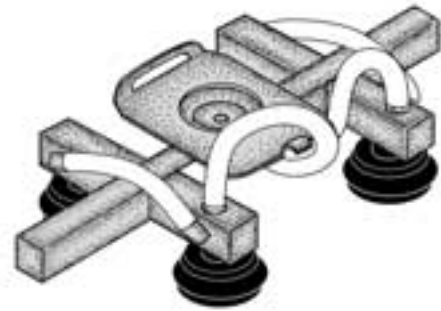
Full kit used for transport with lift-or pallet truck :
380VAC
REF./ 107TA6567

SUCTION HEAD WITH 4 FIXED HEADS



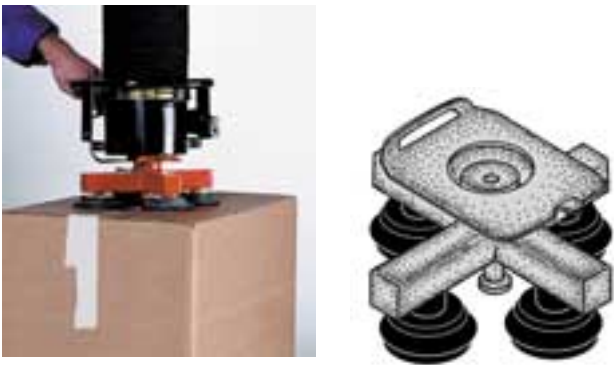
REF./ 107TA6573

SUCTION HEAD WITH 4 ADJUSTABLE HEADS



REF./ 107TA6572

SUCTION HEAD WITH 4 HEADS IN CROSS



REF./ 107TA6571

SUCTION HEAD WITH 6 HEADS



REF./ 107TA6570

SUCTION HEAD WITH 2 HEADS



REF./ 107TA6568

SUCTION HEAD FOR BAGS



REF./ 107TA6569

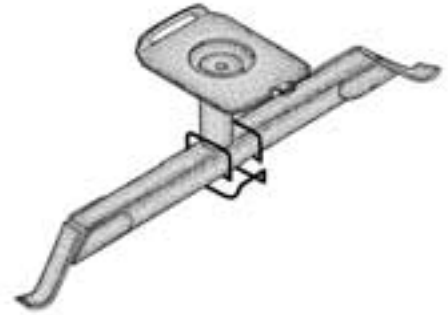
HOOK FOR LIFTING OF JERRICANS (DOUBLE FUNCTION)



For use with single lever



For use with double lever



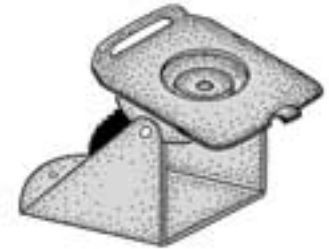
REF./ 107TA6574

SUCTION HEAD FOR BARRELS



References upon demand

ADAPTOR 90°



REF./ 107TA6569



ATTACHMENTS

For all our latest catalogue updates and company info: www.tvh.be

FAX FORM: SPREADER AND CONTAINER EQUIPMENT SPARE PARTS

SPARE PARTS USED FOR SPREADERS AND CONTAINER EQUIPMENT

USED FOR **BROMMA**

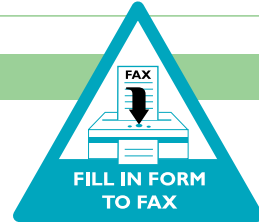
USED FOR **ELME**

USED FOR **KALMAR**

USED FOR **MANDIGERS**



TECHNICAL DETAIL: TWIST LOCKS



EXAMPLE



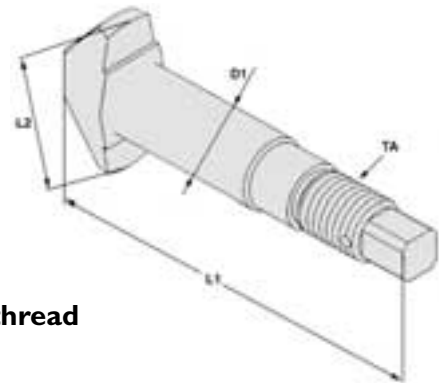
Company:

Customer code:

Name:

Fax number:

- ① L1total length of pin
- ② L2maximum width of pin head (see picture)
- ③ DIdiameter of pin (see picture)
- ④ TAthread type
- ⑤ PMstep metric
- ⑥ PIstep inch
- ⑦ RH/LHright hand (RH) or left hand (LH) thread



TWIST LOCK NUTS



TYGARD CLAW



TYGARD Machine

GROCERY CLAMP

- Breakdown backhaul loads.
- Remove excess layers allowing cube to fit in racks.



TVH is the European parts and service distributor for Tygard clamps!

PROFIT

From the return on investment

Replace costly manual labour



Application

The Tygard Grocery Clamp adds flexibility to layer picking applications. Supermarket warehouses and distribution facilities can benefit from the speed and versatility the Tygard clamp offers. When un-stacking or building pallet loads, the Tygard Grocery Clamp handles single or multiple layers of boxed, canned or bottled product.

Features

- Four-pad, sliding arm clamp
- Front-mount or Side-mount
- Fixed arm design
- 2-Position pressure setting

Options

- Built to load size
- Rail Guide System
- Side thrust rollers



**Exclusive
service dealer**

NOTES



For all our latest catalogue updates and company info:
www.tvh.be

or ask your on-line ordering and pricing connection
with TVH "TVH-QUICK PRICE"

use e-mail: ecommerce@tvh.be for more info